

# Rod thermostat for use as ventilation control LR 80

Capillary system – TÜV-tested



## Technical data

<b>Switching capacity:</b>	15 (8) A, 24–250 V~, min. 150 mA at 24 V~
<b>Contact:</b>	1 microswitch as potential-free changeover contact
<b>Ambient temperature:</b>	–20... +55°C
<b>Degree of protection:</b>	IP 43 (optional: IP 54)
<b>Protection class:</b>	I
<b>Sensor:</b>	liquid filled sensing element made of Cu
<b>Protective spiral:</b>	nickel-plated steel
<b>Max. sensor temperature:</b>	end-scale value + 15 %
<b>Colour:</b>	grey (bottom part RAL 7016, upper part RAL 7035)

## Application

Specially suited for supply air monitoring purposes in the ventilation-engineering field or as limiter for the limitation of temperatures developed by electrical coil heating systems.

The protective spiral is included in the scope of the delivery.

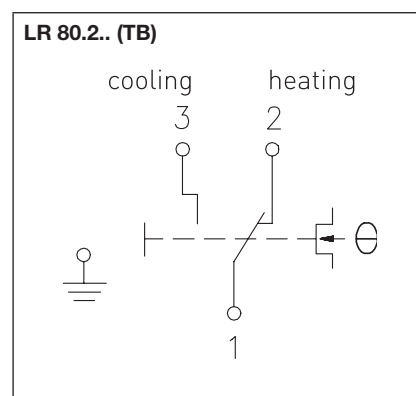
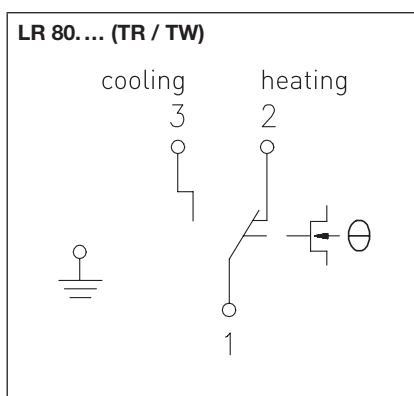
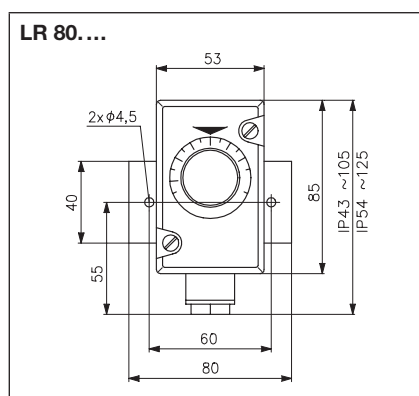
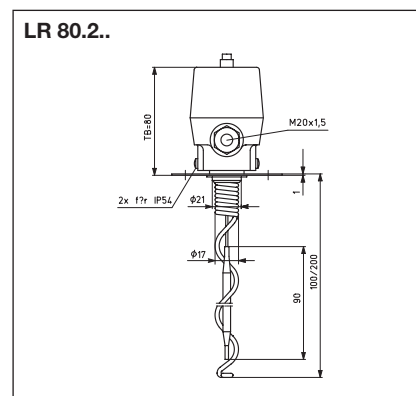
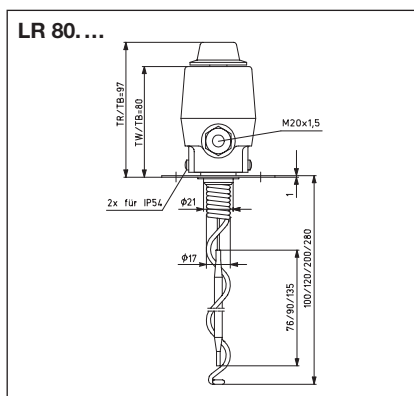
For the ordering of SWK spare spirals, please choose from the types listed on page 154.

TÜV type tested acc. to DIN 3440 for up to 95°C. Reg. No.: TR / TW 107601

TÜV type test acc. to DIN EN 14597 currently performed

Type	Item No.	Control range	Switching difference (approx.)	Length of protective spiral	Equipment*	PG
LR 80.003-1	C 1801800	0...35°C	1 K	120 mm	external setting / TR	B
LR 80.108-1	C 1801801	0...35°C	1 K	120 mm	internal setting / TW	B
LR 80.109-1	C 1801810	0...35°C	1 K	200 mm	internal setting / TW	B
LR 80.027-5	C 1801806	0...70°C	5 K	100 mm	external setting / TR	B
LR 80.035-2	C 1801824	0...70°C	2 K	100 mm	external setting / TR	B
LR 80.028-2	C 1801807	0...70°C	2 K	200 mm	external setting / TR	B
LR 80.116-2	C 1801811	0...70°C	2 K	100 mm	internal setting / TW	B
LR 80.029-2	C 1801816	0...70°C	2 K	280 mm	external setting / TR	B
LR 80.120-1	C 1801812	10...45°C	1 K	200 mm	internal setting / TW	B
LR 80.207	C 1801805	60... 95°C		100 mm	internal setting / external reset / TB	B
LR 80.203	C 1801825	95... 130°C		200 mm	internal setting / external reset / TB	B
<b>Option: IP 54</b>						B

\* TR = Temperature controller, TW = Temperature monitor, TB = Temperature limiter (manual reset after cooling down by min. 8 K)



# Rod thermostat for use as boiler controller KR 80

Capillary system – TÜV tested



## Technical data

<b>Switching capacity:</b>	15 (8) A, 24–250 V~, min. 150 mA at 24 V~
<b>Contact:</b>	1 microswitch as potential-free changeover contact
<b>Ambient temperature:</b>	–20... +55°C
<b>Degree of protection:</b>	IP 43 (optional: IP 54)
<b>Protection class:</b>	I
<b>Sensor:</b>	liquid filled sensing element made of Cu
<b>Dip sleeve:</b>	nickel-plated brass (ex factory) optional: V4A (1.4571)
<b>Max. sensor temperature:</b>	end-scale value + 15 %
<b>Colour:</b>	grey (bottom part RAL 7016, upper part RAL 7035)

## Application

Specially suited for applications in the heating technology sphere or for use in heat reservoirs, district heating transfer stations or heat transfer installations.

The dip sleeve is included in the scope of the delivery.

For the ordering of THK/NTHK spare dip sleeves, please choose from the types listed on page 154.

**TÜV type tested acc. to DIN 3440 for up to 95°C.** Reg. Nr.: TR / TW 107601  
**TÜV type test acc. to DIN EN 14597 currently performed**

Type	Item No.	Control range	Switching difference (approx.)	Length of dip sleeve	Equipment*	PG
KR 80.003-1	C 1801726	0...35°C	1 K	120 mm	external setting / TR	B
KR 80.108-1	C 1801707	0...35°C	1 K	120 mm	internal setting / TW	B
KR 80.109-1	C 1801744	0...35°C	1 K	200 mm	internal setting / TW	B
KR 80.027-5	C 1801731	0...70°C	5 K	100 mm	external setting / TR	B
KR 80.035-2	C 1801705	0...70°C	2 K	100 mm	external setting / TR	B
KR 80.028-2	C 1801732	0...70°C	2 K	200 mm	external setting / TR	B
KR 80.116-2	C 1801748	0...70°C	2 K	100 mm	internal setting / TW	B
KR 80.029-2	C 1801733	0...70°C	2 K	280 mm	external setting / TR	B
KR 80.111-3	C 1801708	0...80°C	3 K	100 mm	internal setting / TW	B
KR 80.009-1	C 1801728	10...45°C	1 K	200 mm / V4A	external setting / TR	B
KR 80.011-1	C 1801730	10...45°C	1 K	120 mm / V4A	external setting / TR	B
KR 80.120-1	C 1801749	10...45°C	1 K	200 mm	internal setting / TW	B
KR 80.206	C 1801720	30...65°C		100 mm	internal setting / external reset / TB	B
KR 80.000-5	C 1801700	35...95°C	5 K	100 mm	external setting / TR	B
KR 80.001-5	C 1801723	35...95°C	5 K	200 mm	external setting / TR	B
KR 80.100-5	C 1801711	35...95°C	5 K	100 mm	internal setting / TW	B
KR 80.101-5	C 1801739	35...95°C	5 K	200 mm	internal setting / TW	B
KR 80.124-5	C 1801750	35...95°C	5 K	280 mm	internal setting / TW	B
KR 80.112-5	C 1801747	35...95°C	5 K	600 mm	internal setting / TW	B
KR 80.102-8	C 1801706	40...110°C	8 K	100 mm	internal setting / TW	B
KR 80.103-8	C 1801742	40...110°C	8 K	200 mm	internal setting / TW	B
KR 80.008-8	C 1801727	40...110°C	8 K	100 mm	external setting / TR	B
KR 80.006-8	C 1801704	50...130°C	8 K	100 mm	external setting / TR	B
KR 80.106-8	C 1801743	50...130°C	8 K	100 mm	internal setting / TW	B
KR 80.207	C 1801710	60... 95°C		100 mm	internal setting / external reset / TB	B
KR 80.208	C 1801721	85... 120°C		100 mm	internal setting / external reset / TB	B
KR 80.202	C 1801709	95... 130°C		100 mm	internal setting / external reset / TB	B
KR 80.203	C 1801719	95... 130°C		200 mm	internal setting / external reset / TB	B
<b>Option: IP 54</b>						B

\* TR = Temperature controller, TW = Temperature monitor, TB = Temperature limiter (manual reset after cooling down by min. 8 K)