

Damper actuator for operating air control dampers in ventilation and air-conditioning systems for building services installations

- For air control dampers up to approx. 1 m²
- Torque 5 Nm
- Nominal voltage AC 100 ... 240 V
- Control: modulating DC 0 ... 10 V, position feedback DC 2 ... 10 V


Technische Daten

Electrical data	Nominal voltage	AC 100 ... 240 V, 50/60 Hz
	Nominal voltage range	AC 85 ... 265 V
	Power consumption	In operation 1.8 W @ nominal torque At rest 1 W For wire sizing 4 VA
	Connection	Power supply Cable 1 m, 2 x 0.75 mm ² Signals Cable 1 m, 4 x 0.75 mm ²
Functional data	Torque (nominal torque)	Min. 5 Nm @ nominal voltage
	Control	Control signal Y DC 0 ... 10 V, typical input impedance 100 kΩ Working range DC 2 ... 10 V
	Position feedback (Measuring voltage)	DC 2 ... 10 V, max. 1 mA
	Position accuracy	±5%
	Direction of rotation	Reversible with switch 0 / 1
	Direction of rotation at Y = 0 V	at switch position 0 ↺ resp. 1 ↻
	Manual override	Gearing latch disengaged with pushbutton, self-resetting
	Angle of rotation	Max. 95°↔, limited on both sides by means of adjustable, mechanical end stops
	Running time	150 s
	Sound power level	Max. 35 dB (A)
Safety	Position indication	Mechanical, pluggable
	Protection class	II Totally insulated <input type="checkbox"/>
	Degree of protection	IP54 in any mounting position
	EMC	CE according to 89/336/EEC
	Low voltage directive	CE according to 73/23/EWG
	Mode of operation	Type 1 (to EN 60730-1)
	Ambient temperature range	-30 ... +50 °C
	Non-operating temperature	-40 ... +80 °C
	Ambient humidity range	95% r.H., non-condensating (EN 60730-1)
	Maintenance	Maintenance-free
Dimensions / Weight	Dimensions	See «Dimensions» on page 2
	Weight	Approx. 700 g

Safety notes


- The damper actuator is not allowed to be used outside the specified field of application, especially in aircraft or any other form of air transport.
- Caution: Power supply voltage !
- Assembly must be carried out by trained personnel. Any legal regulations or regulations issued by authorities must be observed during assembly.
- The device may only be opened at the manufacturer's site. It does not contain any parts that can be replaced or repaired by the user.
- The cable must not be removed from the device.
- When calculating the required torque, the specifications supplied by the damper manufacturers (cross section, design, installation site), and the air flow conditions must be observed.
- The device contains electrical and electronic components and is not allowed to be disposed of as household refuse. All locally valid regulations and requirements must be observed.

Product features

- Mode of operation** The actuator is controlled by means of a standard control signal DC 0 ... 10 V. It opens to the position dictated by this signal. The measuring voltage U allows the damper position (0 ... 100%) to be electrically indicated and serves as a follow-up control signal for other actuators.
- Simple direct mounting** Simple direct mounting on the damper spindle with a universal spindle clamp, supplied with an anti-rotation strap to prevent the actuator from rotating.
- Manual override** Manual operation is possible with the self-resetting pushbutton (the gearing latch remains disengaged as long as the pushbutton is pressed).
- Adjustable angle of rotation** Adjustable angle of rotation with mechanical end stops.
- High functional reliability** The actuator is overload-proof, requires no limit switches and automatically stops when the end stop is reached.

Accessories

	Description	Data sheet
Electrical accessories	Auxiliary switch S..A..	T2 - S..A..
	Feedback potentiometer P..A..	T2 - P..A..
	Positioner SG..24	T2 - SG..24
Mechanical accessories	Shaft extensions AV6-20	T2 - Z-LM..A..

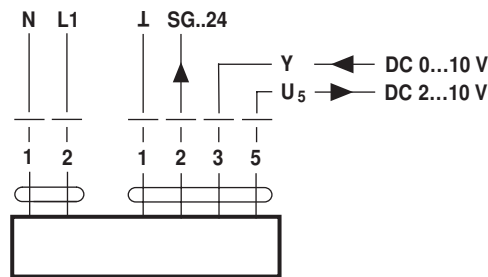
Electrical installation

Wiring diagrams

Notes

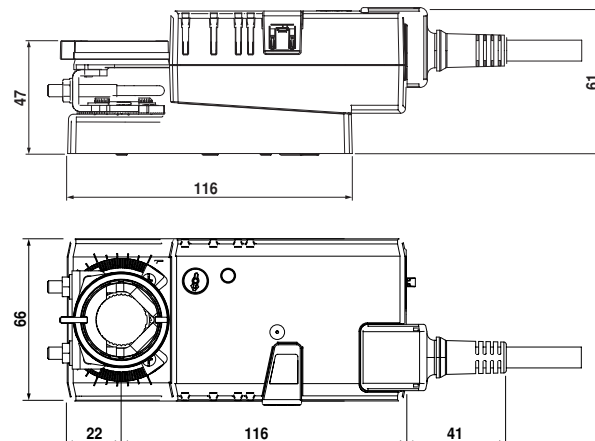
- Caution: Power supply voltage !
- Other actuators can be connected in parallel.

Please note the performance data.

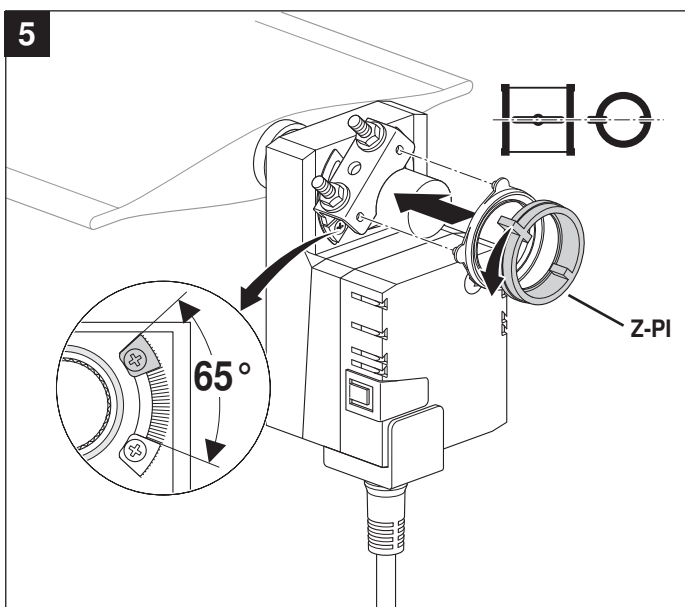
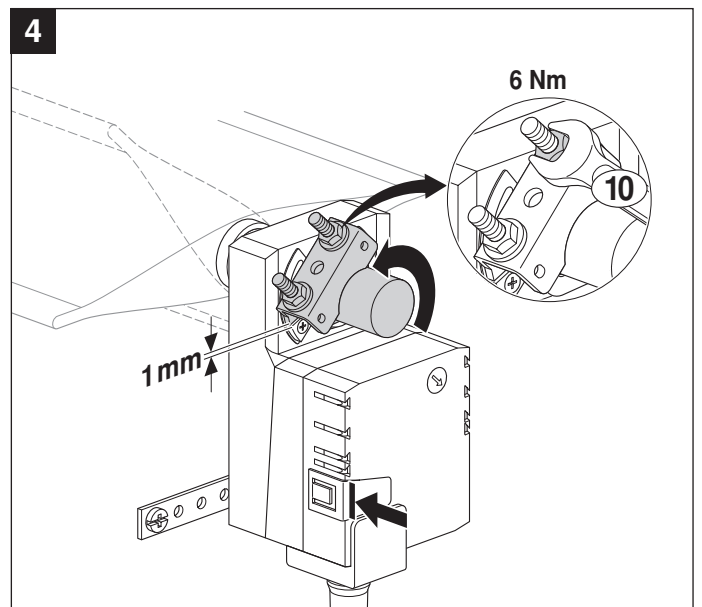
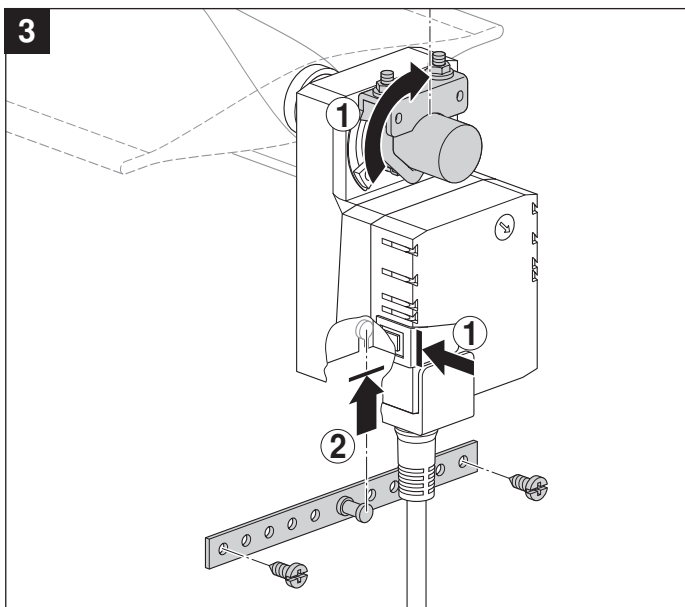
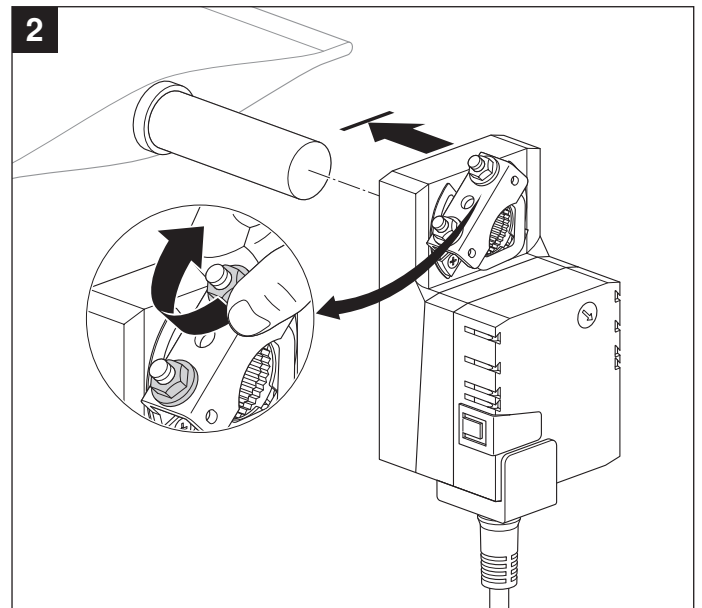
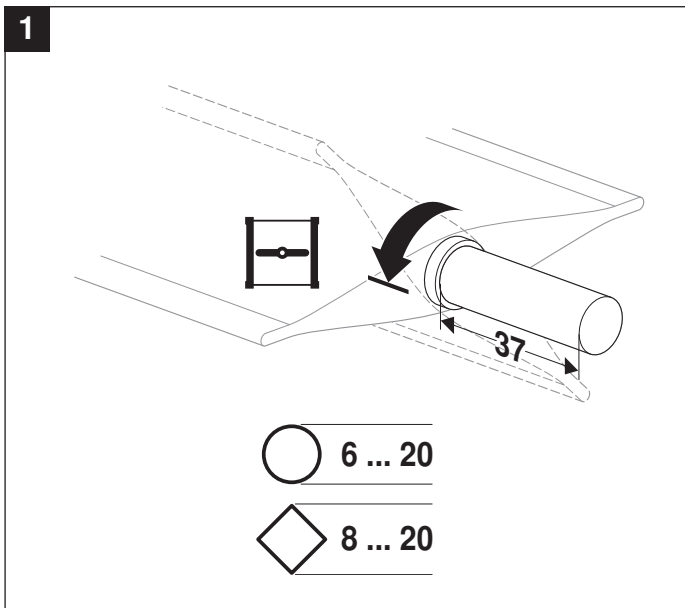


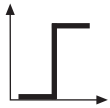
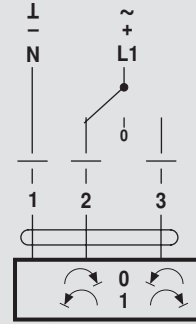
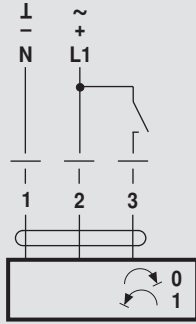
Dimensions [mm]

Dimensional drawings



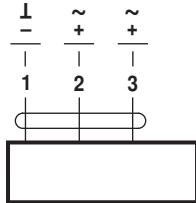
Damper spindle	Length	
	min. 37	6 ... 20



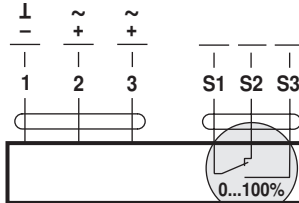


AC 24 V / DC 24 V

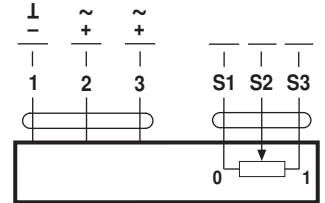
DC 48 ... 110 V
(LM72A..)



LM24A.. LMC24A..
LM72A.. TMC24A..

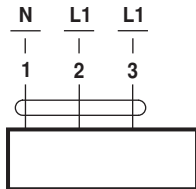


LM24A-S.. TMC24A-S..

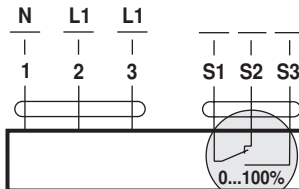


LM24AP5..

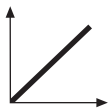
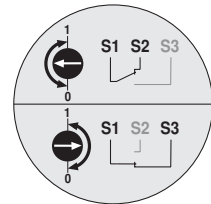
AC 100 ... 240 V



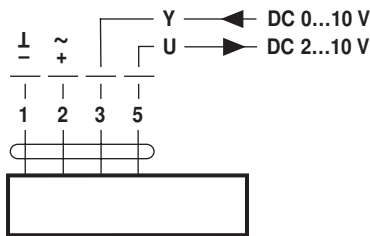
LM230A.. LMC230A..



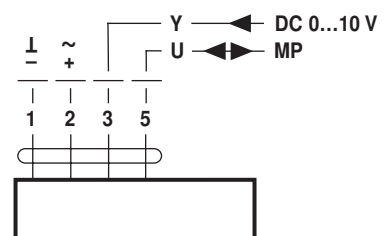
LM230A-S.. TMC230-S..



AC 24 V / DC 24 V

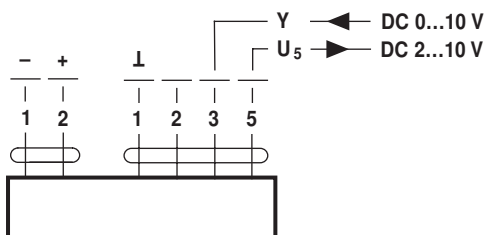


LM24A-SR.. LMC24A-SR..
LM24A-MF.. TMC24A-SR..



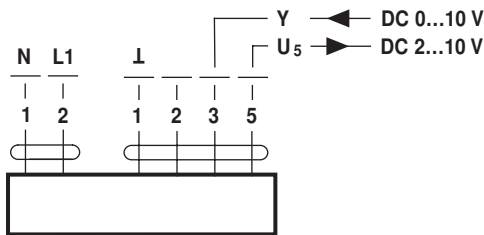
LM24A-MP..

DC 48 ... 110 V
(LM72A-SR..)



LM72A-SR..

AC 100 ... 240 V



LM230ASR..