

## 2-way butterfly valve DN 200...350

**Shut-off function in open or closed cold and hot water circuits**

### Applications

- Connection and disconnection of several heat or cold generators
- Open heat exchangers

### Mode of operation

The butterfly valve is closed or fully opened by an SY.. rotary actuator. The rotary actuators are controlled either by a standard controller or by a 2-wire control unit.

### Product features

The nylon-coated valve cone is pressed into the soft-sealing EPDM seat by the rotary action and guarantees zero leakage losses. The open position is characterized by low flow losses and a high  $k_{vs}$  value.

**Manual operation:** The butterfly valve can be moved into any position, depending on the rotary actuator type. (Lever mounted directly on the butterfly valve on request.)

### Technical data

Flow media	Cold and hot water in open or closed circuits
Temperature of medium	-20°C...+100°C <sup>1)</sup>
Rated pressure $p_s$	1600 kPa (PN6/10/16)
Flow rate $k_{vs}$	See table below
Leakage rate	Tight (BN 1, DIN 3230 T3)
Pipe connector	Flange PN 6/10/16
Closing pressure $\Delta p_s$	See table below
Angle of rotation	90°
Installation position	Vertical to horizontal
Maintenance	Maintenance-free

### Materials

Fitting	GGG 40
Valve cone	GGG 40, nylon-coated
Seat	EPDM
Stem	Stainless steel
Stem seal	EPDM O-ring
Stem bearing	RPTFE

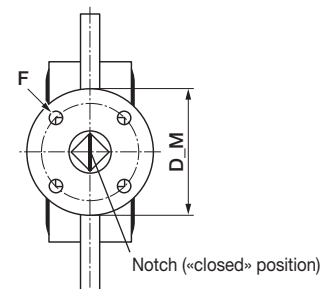
<sup>1)</sup> -20°C – no stem heating required

### Dimensions/Weight (see also tables overleaf)

DN [mm]	D [mm]	D_M [mm]	h [mm]	F [mm]	H1 [mm]	H2 [mm]	B [mm]	PN6		PN10		PN16		D6.. Weight [kg]
								K [mm]	d [mm]	K [mm]	d [mm]	K [mm]	d [mm]	
200	260	125	19	F07	167	247	60	280	8 x 19	295	8 x 23	295	12 x 28	15
250	314	125	24	F10	167	287	68	335	12 x 19	350	12 x 23	355	12 x 28	21.5
300	370	125	24	F10	239	316	78	395	12 x 23	400	12 x 23	410	12 x 28	32.3
350	422	150	24	F10	265	345	79	445	12 x 23	460	16 x 23	470	16 x 28	43.5

### View of a butterfly valve mounting flange with square stem head

The notch in the end face of the stem head indicates the position of the butterfly valve.



Type <sup>1)</sup>	D_M	F <sup>2)</sup>	SW	h3 <sup>3)</sup>
D6200	125	F07	17	19
D6250	125	F10	22	24
D6300	125	F10	22	24
D6350	150	F10	22	24

<sup>1)</sup> Larger DN's on request

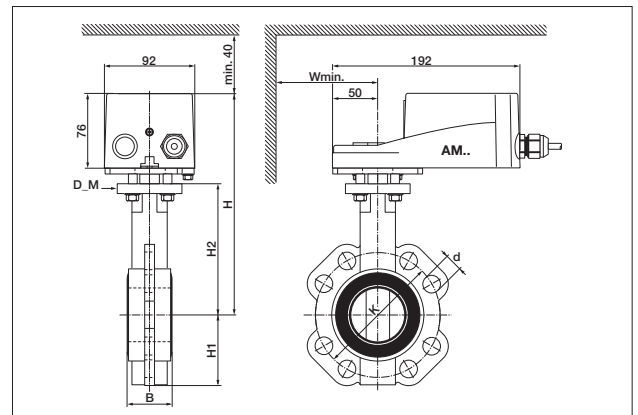
<sup>2)</sup> Acc. to ISO 5211

<sup>3)</sup> Free stem end (mounting flange up to end face of stem head)

## Dimensions/Weight (incl. actuator)

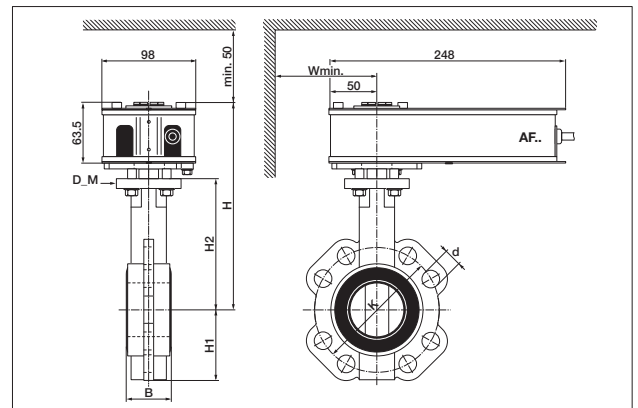
### Complete actuator set, AM.. rotary actuator with D6.. butterfly valve DN 50...100

DN [mm]	Weight D6+AM [kg]	W [mm]	H [mm]
50	3.8	110	226
65	4.3	120	239
80	5	140	250
100	7	150	265



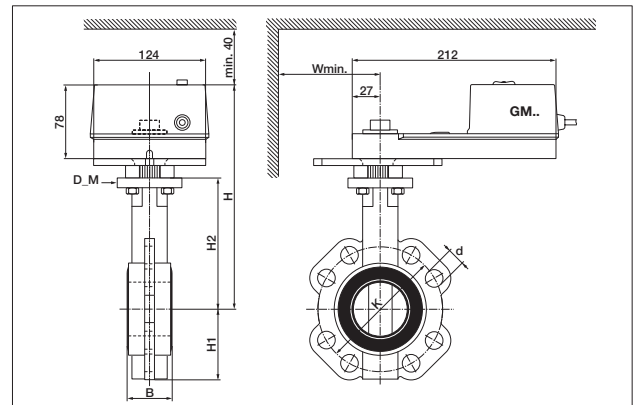
### Complete actuator set, AF.. rotary actuator with D6.. butterfly valve DN 50...80

DN [mm]	Weight D6+AF [kg]	W [mm]	H [mm]
50	5.8	110	207
65	6.3	120	220
80	7	140	231



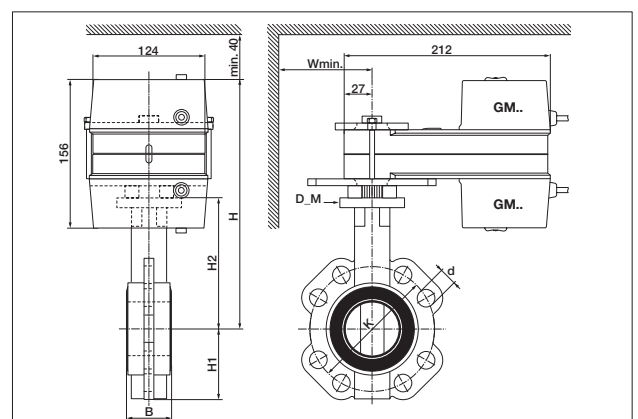
### Complete actuator set, GM.. rotary actuator with D6.. butterfly valve DN 80...125

DN [mm]	Weight D6+GM [kg]	W [mm]	H [mm]
80	5.7	140	252
100	7.7	150	267
125	9.6	170	289



### Complete actuator set, 2 x GM.. rotary actuator with D6.. butterfly valve DN 125...200

DN [mm]	Weight D6+2 x GM [kg]	W [mm]	H [mm]
125	11.9	170	317
150	13.5	180	335
200	19.5	220	369



## Dimensions/Weight (incl. actuator)

### Complete actuator set, SY3 rotary actuator with D6.. butterfly valve DN 200

DN [mm]	Weight D6+SY3 [kg]	W [mm]	H [mm]	dS1
200	26.1	220	502	200

### Complete actuator set, SY4 rotary actuator with D6.. butterfly valve DN 250...300

DN [mm]	Weight D6+SY4 [kg]	W [mm]	H [mm]	dS1
250	43.6	260	602	234
300	54.4	300	631	234

### Complete actuator set, SY5 rotary actuator with D6.. butterfly valve DN 300...350

DN [mm]	Weight D6+SY5 [kg]	W [mm]	H [mm]	dS1
300	54.4	300	631	234
350	65.6	330	660	234

