

## 2-way butterfly valve DN 50...200

**Shut-off function in open or closed cold and hot water circuits**

### Applications

- Connection and disconnection of several heat or cold generators
- Open heat exchangers

### Mode of operation

The butterfly valve is closed or fully opened by a rotary actuator (AF., AM., GM.). The rotary actuators are controlled either by a standard controller or by a 1 or 2-wire control unit.

### Product features

The nylon-coated valve cone is pressed into the soft-sealing EPDM seat by the rotary action and guarantees zero leakage losses. The open position is characterized by low flow losses and a high  $k_{vs}$  value.

**Manual operation:** The butterfly valve can be moved into any position, depending on the rotary actuator type. (Lever mounted directly on the butterfly valve on request.)

### Technical data

Flow media	Cold and hot water in open or closed circuits
Temperature of medium	-20°C...+100°C <sup>1)</sup>
Rated pressure $p_s$	1600 kPa (PN6/10/16)
Flow rate $k_{vs}$	See table below
Leakage rate	Tight (BN 1, DIN 3230 T3)
Pipe connector	Flange PN 6/10/16
Closing pressure $\Delta p_s$	See table below
Angle of rotation	90°
Installation position	Vertical to horizontal
Maintenance	Maintenance-free

### Materials

Fitting	GGG 40
Valve cone	GGG 40, nylon-coated
Seat	EPDM
Stem	Stainless steel
Stem seal	EPDM O-ring
Stem bearing	RPTFE

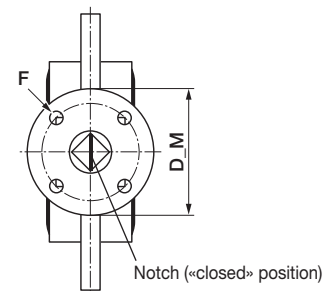
<sup>1)</sup> -20°C – no stem heating required

### Dimensions/Weight (see also tables overleaf)

DN [mm]	D [mm]	D_M [mm]	h [mm]	F [mm]	H1 [mm]	H2 [mm]	B [mm]	PN6		PN10		PN16		D6.. Weight [kg]
								K [mm]	d [mm]	K [mm]	d [mm]	K [mm]	d [mm]	
50	93	65	13	F05	70	134	43	110	4 x 14	125	4 x 19	125	4 x 19	2.3
65	107	65	13	F05	76	147	46	130	4 x 14	145	4 x 19	145	4 x 19	2.8
80	123	65	13	F05	89	158	46	150	4 x 19	160	8 x 19	160	8 x 19	3.5
100	151	75	13	F05	104	173	52	170	4 x 19	180	8 x 19	180	8 x 19	5.5
125	177	90	19	F07	118	195	56	200	8 x 19	210	8 x 19	210	8 x 19	7.4
150	204	90	19	F07	132	213	56	225	8 x 19	240	8 x 23	240	8 x 23	9
200	260	125	19	F07	167	247	60	280	8 x 19	295	8 x 23	295	12 x 28	15

### View of a butterfly valve mounting flange with square stem head

The notch in the end face of the stem head indicates the position of the butterfly valve.



Type <sup>1)</sup>	D_M	F <sup>2)</sup>	SW	h3 <sup>3)</sup>
D650	65	F05	14	13
D665	65	F05	14	13
D680	65	F05	14	13
D6100	75	F05	14	13
D6125	90	F07	17	19
D6150	90	F07	17	19
D6200	125	F07	17	19

<sup>1)</sup> For larger DN's see page 16

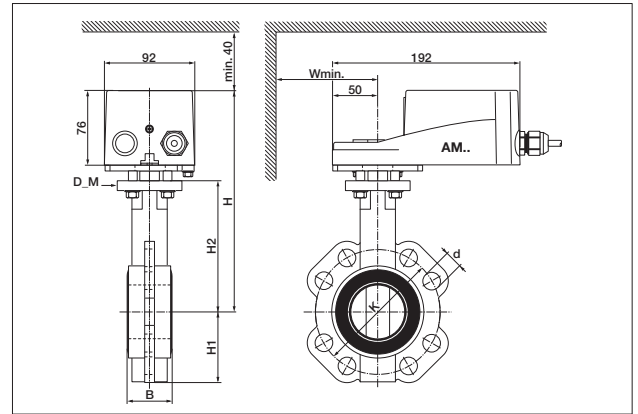
<sup>2)</sup> Acc. to ISO 5211

<sup>3)</sup> Free stem end (mounting flange up to end face of stem head)

## Dimensions/Weight (incl. actuator)

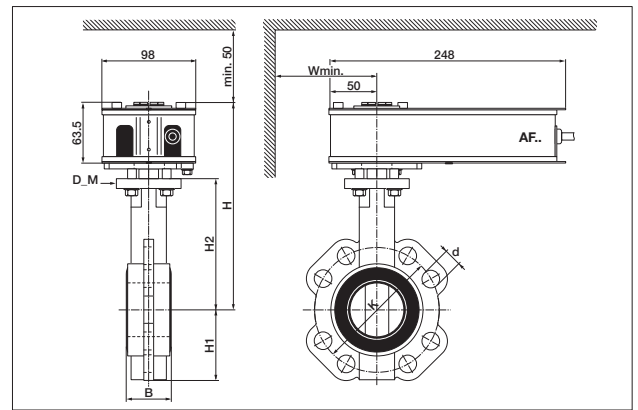
### Complete actuator set, AM.. rotary actuator with D6.. butterfly valve DN 50...100

DN [mm]	Weight D6+AM [kg]	W [mm]	H [mm]
50	3.8	110	226
65	4.3	120	239
80	5	140	250
100	7	150	265



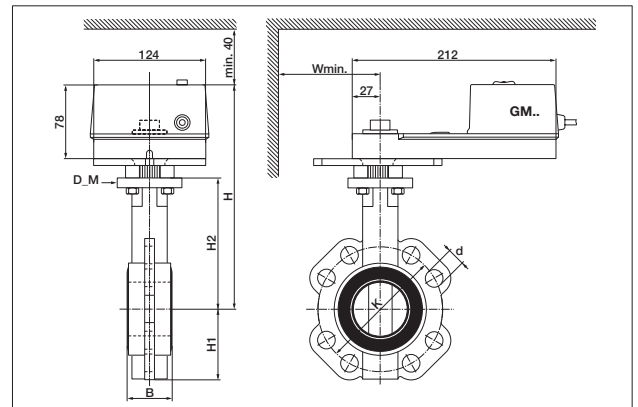
### Complete actuator set, AF.. rotary actuator with D6.. butterfly valve DN 50...80

DN [mm]	Weight D6+AF [kg]	W [mm]	H [mm]
50	5.8	110	207
65	6.3	120	220
80	7	140	231



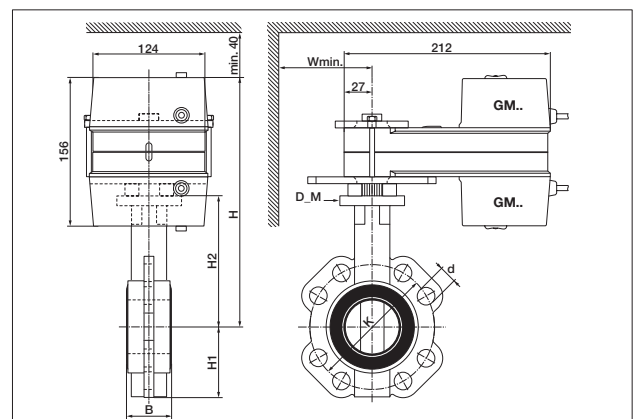
### Complete actuator set, GM.. rotary actuator with D6.. butterfly valve DN 80...125

DN [mm]	Weight D6+GM [kg]	W [mm]	H [mm]
80	5.7	140	252
100	7.7	150	267
125	9.6	170	289



### Complete actuator set, 2 x GM.. rotary actuator with D6.. butterfly valve DN 125...200

DN [mm]	Weight D6+2 x GM [kg]	W [mm]	H [mm]
125	11.9	170	317
150	13.5	180	335
200	19.5	220	369



## Dimensions/Weight (incl. actuator)

### Complete actuator set, SY3 rotary actuator with D6.. butterfly valve DN 200

DN [mm]	Weight D6+SY3 [kg]	W [mm]	H [mm]	dS1
200	26.1	220	502	200

### Complete actuator set, SY4 rotary actuator with D6.. butterfly valve DN 250...300

DN [mm]	Weight D6+SY4 [kg]	W [mm]	H [mm]	dS1
250	43.6	260	602	234
300	54.4	300	631	234

### Complete actuator set, SY5 rotary actuator with D6.. butterfly valve DN 300...350

DN [mm]	Weight D6+SY5 [kg]	W [mm]	H [mm]	dS1
300	54.4	300	631	234
350	65.6	330	660	234

