

Installation instruction and Mounting Brackets

for occupancy sensor PIR-TF-25

7.10.E

Material: ABS

INSTALLATION HINTS:

Do not install where the detector is exposed to direct sunlight or directly above strong sources of heat.

Make sure the detection area does not have obstruction (plants, large pieces of furniture, curtains etc.) which may block the pattern of coverage.

INSTALLATION & WALK TEST:

Installation

1. Open the front cover by loosening the locking screw. Remove the circuit board from the bottom case.
2. Punch out the adequate knockouts and mount the bottom case firmly with the screw provided at the selected position.
3. Replace the circuit board and connect the wires to the corresponding terminals.
NC-C-NO: Detection output
24 V: Power supply, 24 V AC/DC
4. Remember to seal all unused cable entries and screw holes in order to stop false alarms which can be caused by insects, etc.
5. Replace front cover, then walk test can be proceeded.
6. Note! Before changing the delay settings, switch off the supply voltage.

Walk Test:

Apply the power supply and wait 30 seconds for the unit to warm up and then walk across the detection beams (invisible) at normal speed. The LED will light on whenever the detector detects the motion.

Fast test:

For convenience of testing and time saving there is a jumper, JP 3. By placing the jumper head on the two pins of JP3, both ON and OFF delays will be 10 seconds, disregard the actual delay setting.

LED on/off:

When using jumper JP 1 the LED is lit when the detector is activated. Without this jumper, the LED will be off even if the detector is activated.

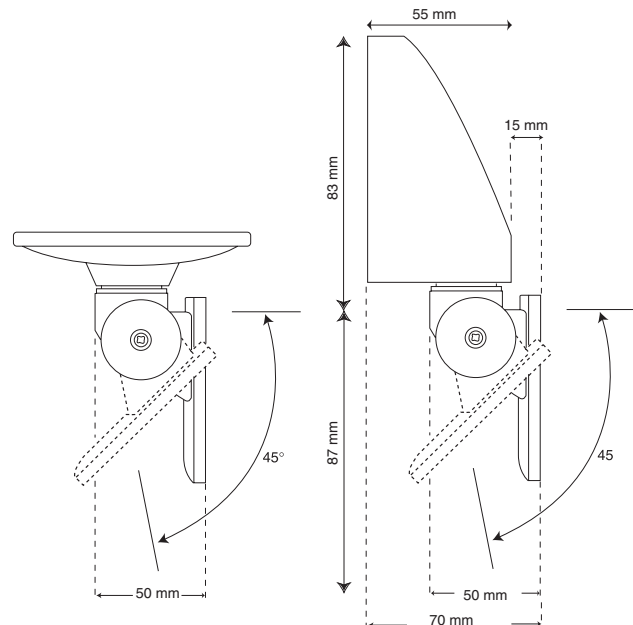
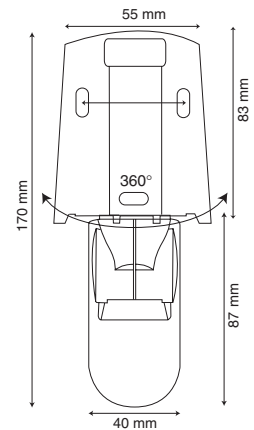
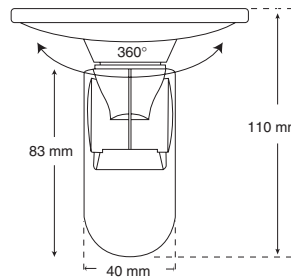
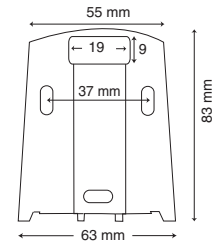
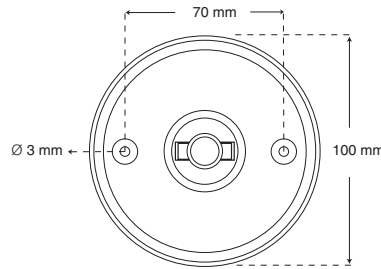
ADJUSTMENTS:

Range

If detection range is not satisfactory, the detection beams can be adjusted vertically by sliding the PCB up or down. If the detector is mounted higher than 2,4 meter, you may require to slide the PCB upward to tilt the detection beams downward.

MB-95, for ceiling montage

MB-98, for wall montage



M/H	1.8m	2.0m	2.2m	2.4m	2.6m	2.8m	3.0m
B/P	Detection	Coverage					
+3	1-8	N/A	N/A	N/A	N/A	N/A	N/A
+2	1-9	N/A	N/A	N/A	N/A	N/A	N/A
+1	1-11	2-14	3-13	N/A	N/A	N/A	N/A
0	1-12	1-15	2-15	3-15	4-15	5-15	6-15
-1	1-10	1-14	2-13	3-14	4-14	5-14	6-15
-2	1-9	1-13	2-11	3-13	4-13	5-13	5-14
-3	1-8	1-11	2-10	2-11	3-12	3-12	4-12

(Read: 1 to 8 m)

M/H: Mounting Height B/P: P.C. Board Position
 N/A: Not applicable