

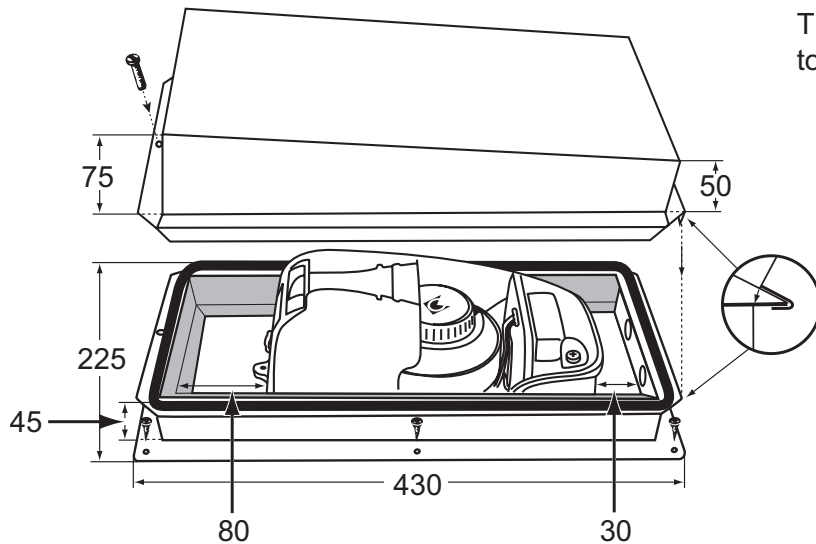
UG-SH PROTECTION COVER FOR UNIGUARD

GENERAL INFORMATION

Protection cover is used as covering protection for Uniguard smoke detector, mounted outdoors or in cold attics to avoid that hot outlet air is condensating.

DIMENSIONS

(mm)



The protection cover's total height: 120 mm

OUTDOOR POSITIONING

Location in places where condensation problems could arise due to temperature differences e.g. cold attics or outdoor.

