

2 WAY - 3 WAY ZONE VALVES SERIES V2BM - V3BM



MAIN FEATURES

- Available 2 and 3 way:
- DN: 1/2" - 3/4" - 1" - 1.1/4" - 1.1/2" - 2"
- Small sizes and weight
- Standard UNI 9753/90

DESCRIPTION

V2BM, V3BM are zone valves, 2 way and 3 way, manufactured in bronze with a globe plug. The valves are suitable for actuator series **M400** or **M800**. The valves are available with female threaded. **V2BM** is normally open. **V3BM** is mixing valve.

USE

V2BM, V3BM are zone valves, 2 way and 3 way, used on heating and cooling systems.

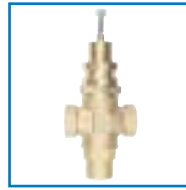
FUNCTION

The function are based on plug moving by actuator series **M400** or **M800** installed on the body valves.



V2BM
2 way globe valve,
normally open

Part No.	Dn	Weight (g)
V2BM15	1/2"	1250
V2BM20	3/4"	1250
V2BM25	1"	1650
V2BM32	1.1/4"	2050
V2BM40	1.1/2"	2850
V2BM50	2"	3900



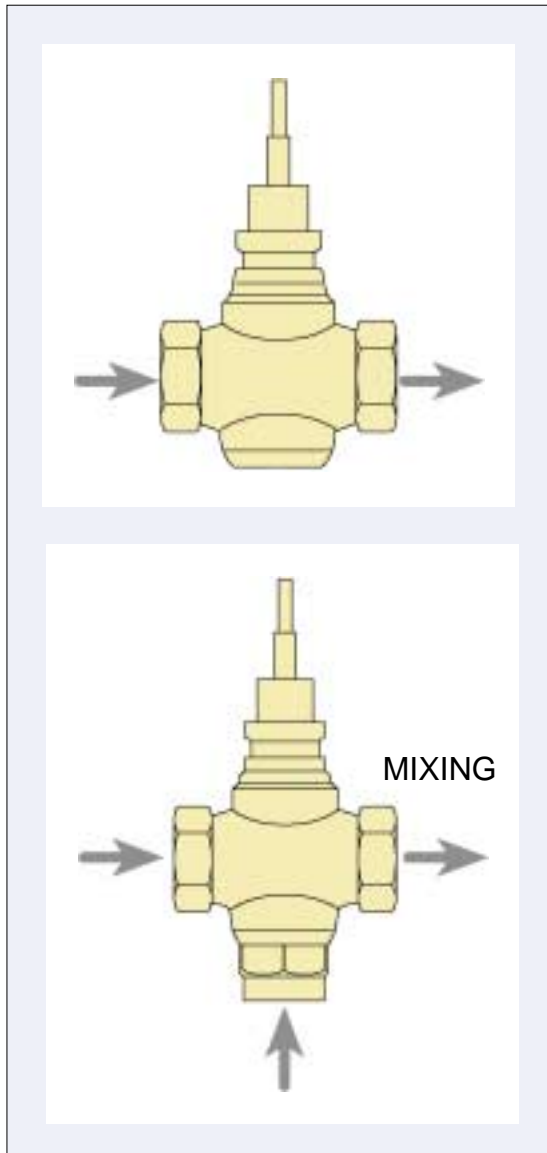
V3BM
3 way globe valve

Part No.	Dn	Weight (g)
V3BM15	1/2"	1450
V3BM20	3/4"	1450
V3BM25	1"	2000
V3BM32	1.1/4"	2450
V3BM40	1.1/2"	3400
V3BM50	2"	4650

HYDRAULICS FEATURES

The hydraulic characteristics of the **V2BM** and **V3BM** valves are displayed in tab.1

FLOW SENSE:



TAB. 1

CODE	DN	ACTUATOR M400 Max DP close-off (kPa)	ACTUATOR M800 Max DP close-off (kPa)	Kvs	Kvs BY-PASS
V2BM15	1/2"	800	1600	4,0	
V2BM20	3/4"	800	1600	6,3	
V2BM25	1"	500	1000	10	
V2BM32	1.1/4"	300	600	16	
V2BM40	1.1/2"	170	360	25	
V2BM50	2"	100	220	40	
V3BM15	1/2"	800	1600	4,0	2,7
V3BM20	3/4"	800	1600	6,3	4,0
V3BM25	1"	500	1000	10	6,0
V3BM32	1.1/4"	300	600	16	12
V3BM40	1.1/2"	170	360	25	19
V3BM50	2"	100	220	40	33

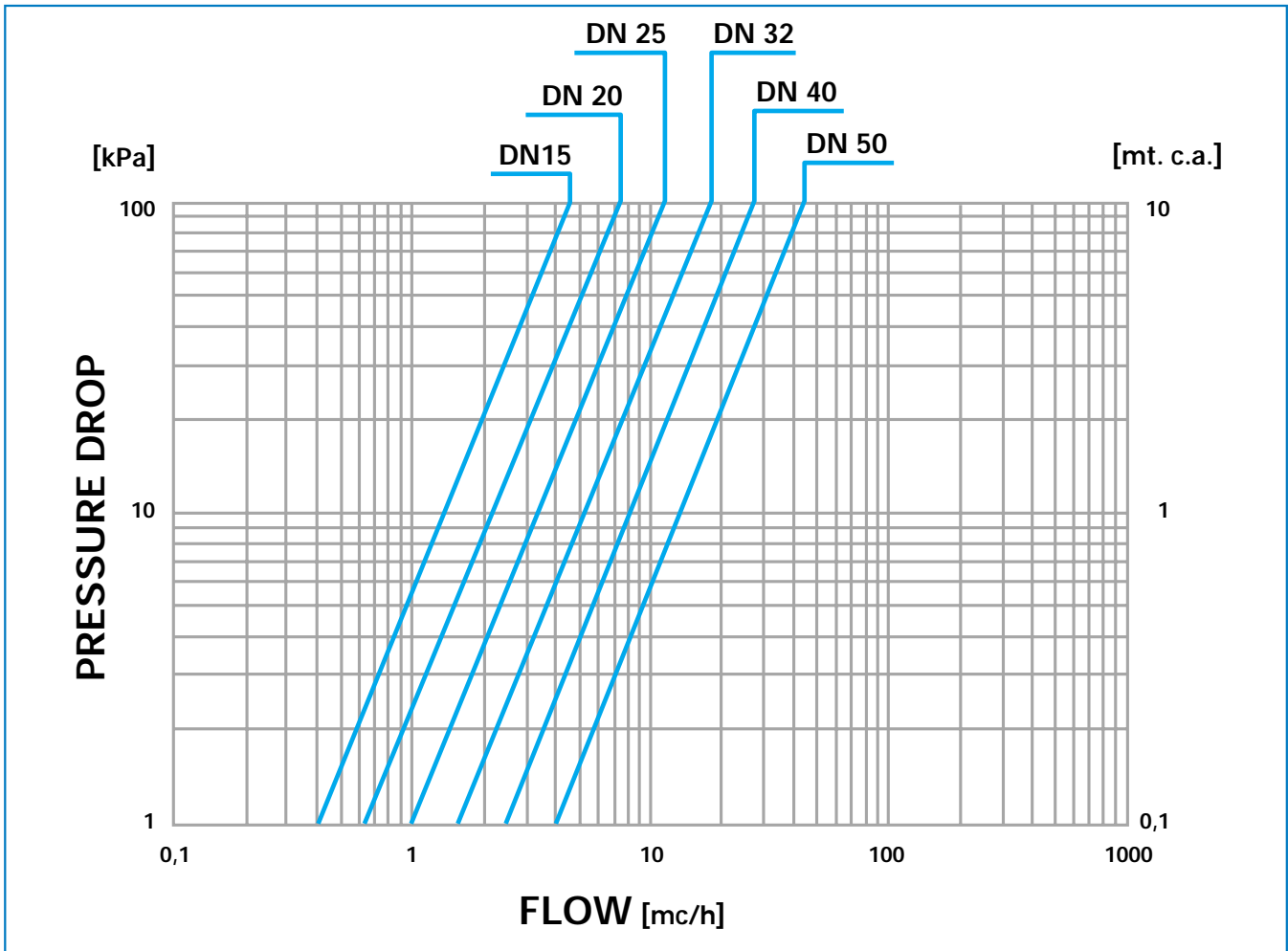
TECHNICAL CHARACTERISTICS

Nominal pressure	16 bar
Max temperature	110 °C
For fluid temperature minus (until - 20°)	Use code RISC
Control characteristic	Equal percentage
Stroke	20 mm
Usable liquids	Water with glycole ≤ 30%

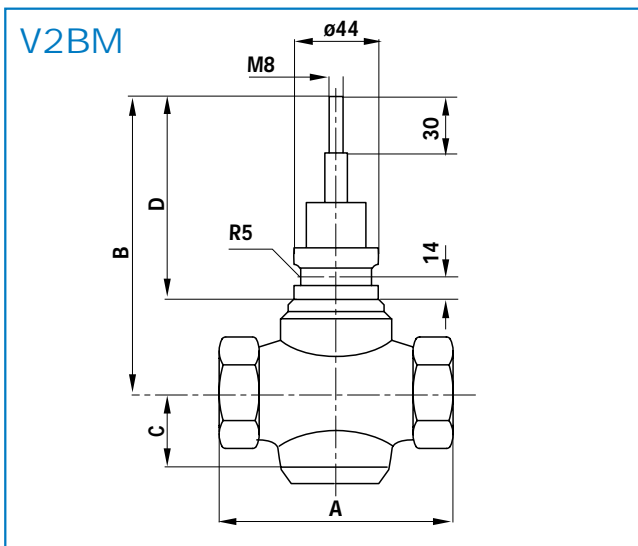
DESIGN FEATURES

Stem	Stainless steel
Plug	Brass CW617N

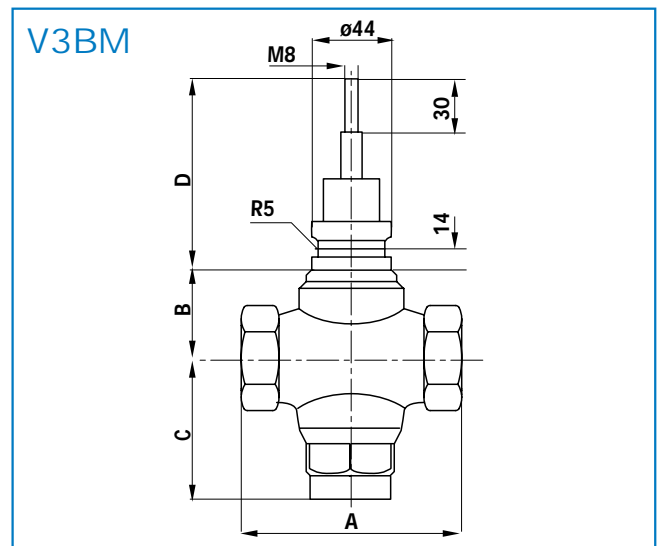
Flow rate/pressure drop chart



Overall Dimensions (mm)



Part No.	A	B	C	D
V2BM15	85	153	30	112
V2BM20	85	153	30	112
V2BM25	105	151	35	105
V2BM32	120	153	38	104
V2BM40	145	167	45	111
V2BM50	165	167	54	103



Part No.	A	B	C	D
V3BM15	85	153	69	112
V3BM20	85	153	69	112
V3BM25	105	151	71	105
V3BM32	120	153	75	104
V3BM40	145	167	79	111
V3BM50	165	167	90	103

The descriptions and photographs contained in this product specification sheet are supplied by way of information only and are not binding.
WATTS CAZZANIGA reserves the right to carry out any technical and design improvements to its products without prior notice.



WATTS Cazzaniga S.p.A.
Via Parco, snc - 20046 Biassono (MI) - Italy
Phone ++39 039 49.86.1 - Fax ++ 39 039 49.86.285
www.wattsindustries.com e-mail: info@wattscazzaniga.it