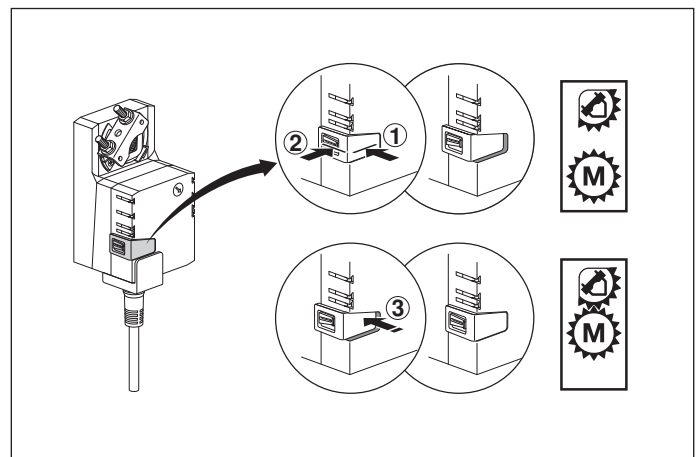
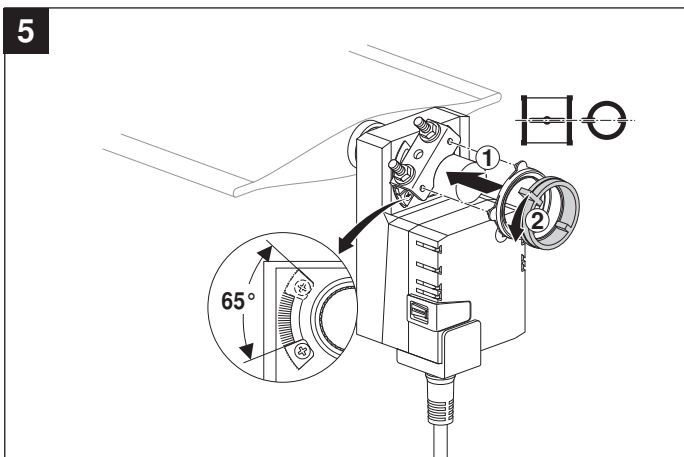
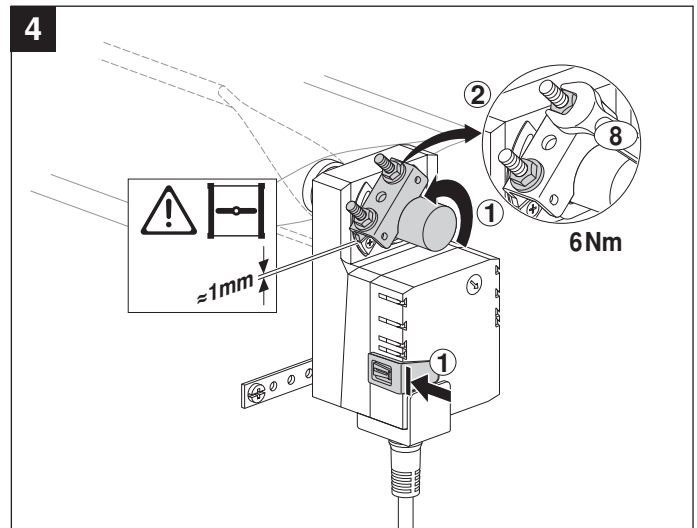
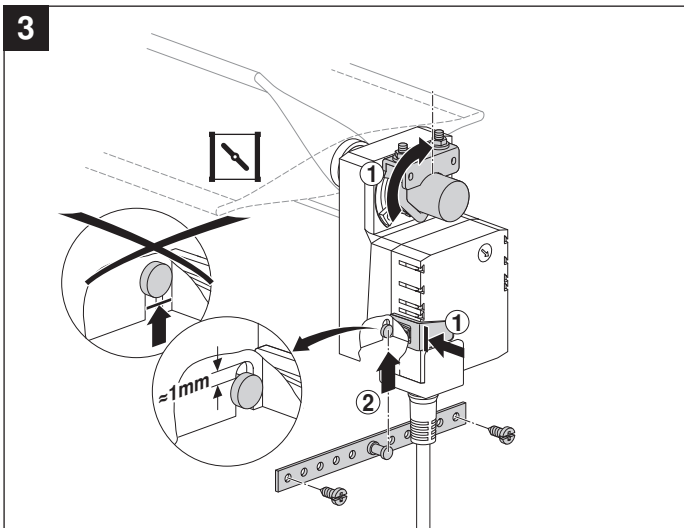
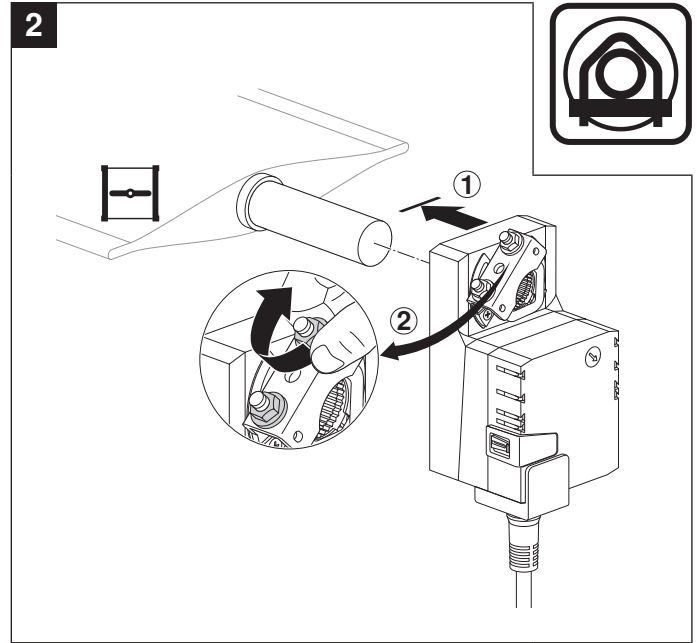
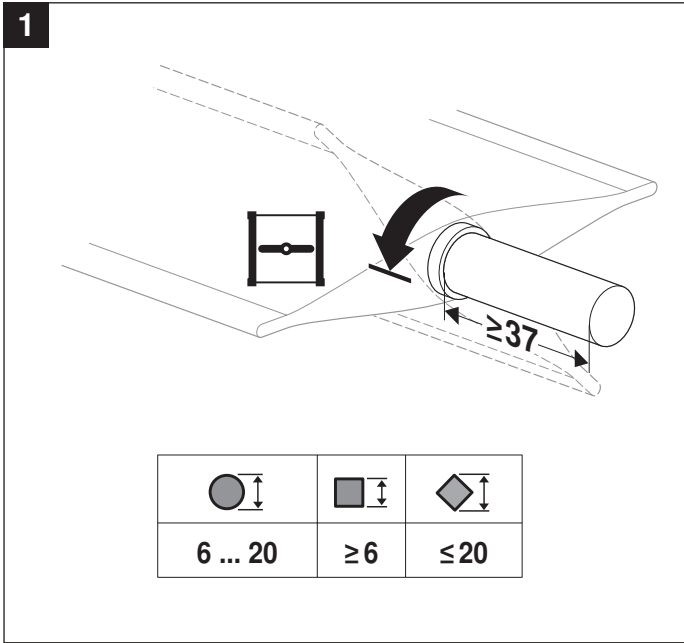
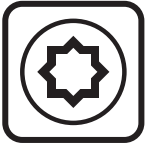
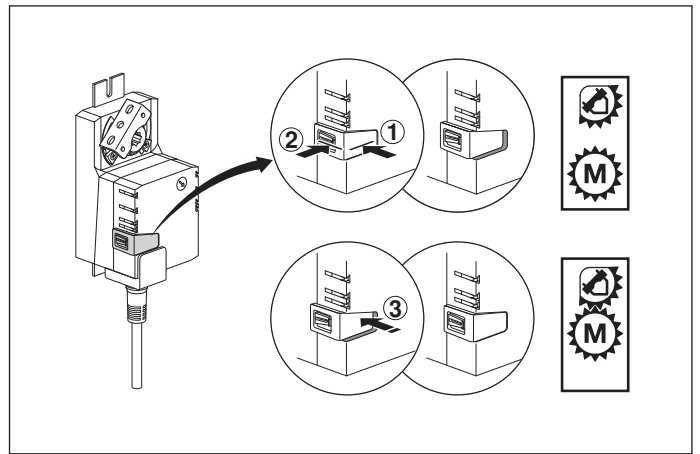
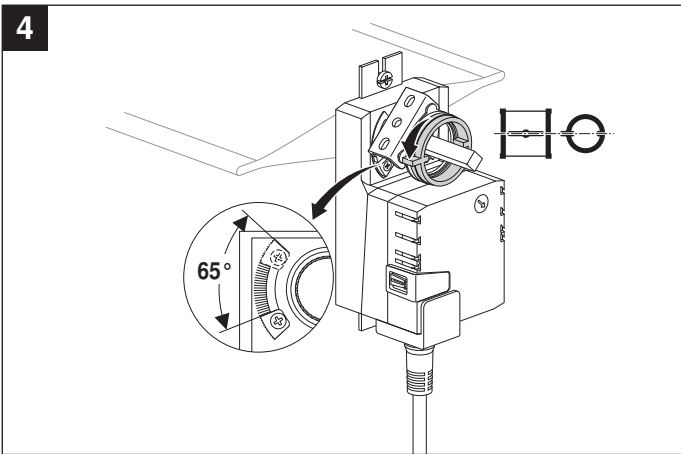
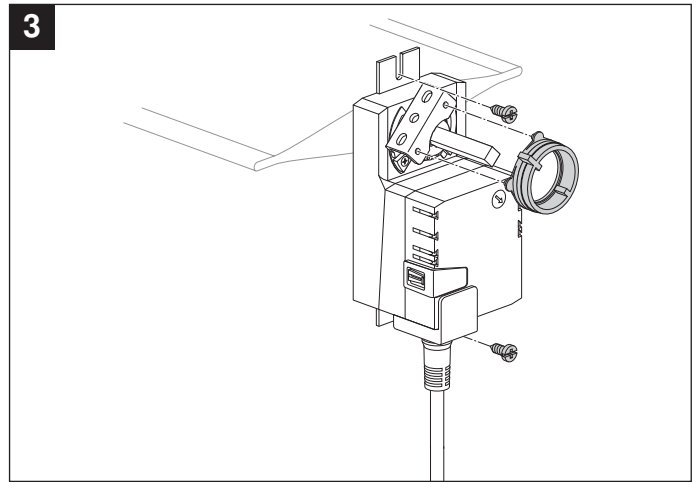
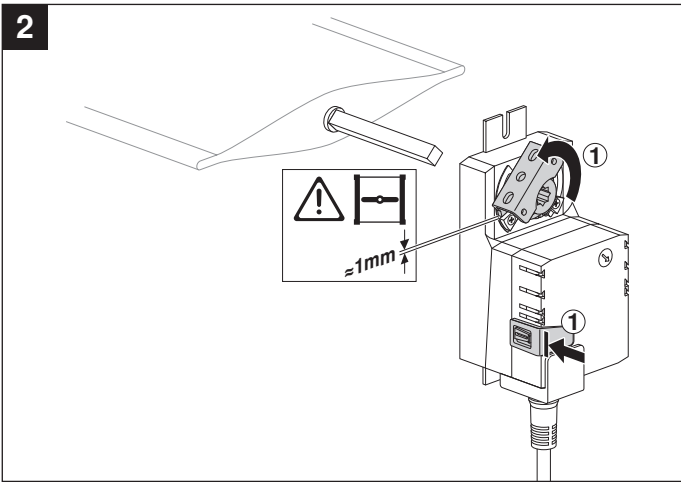
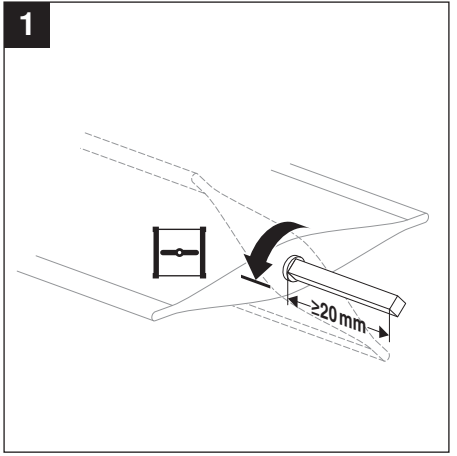
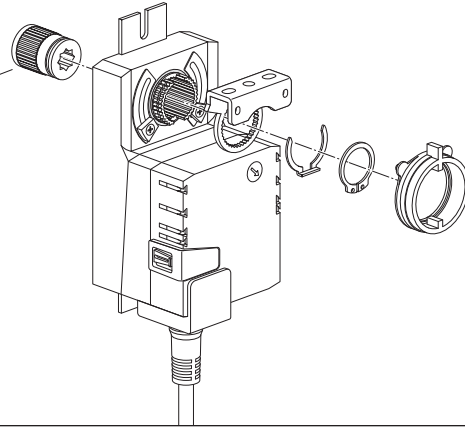


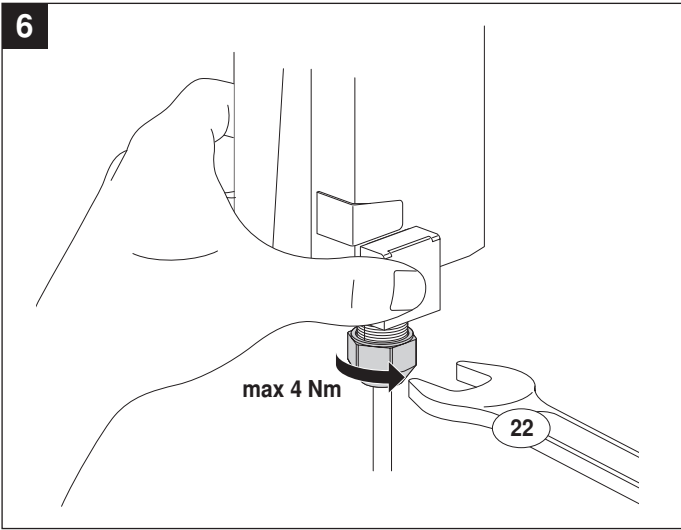
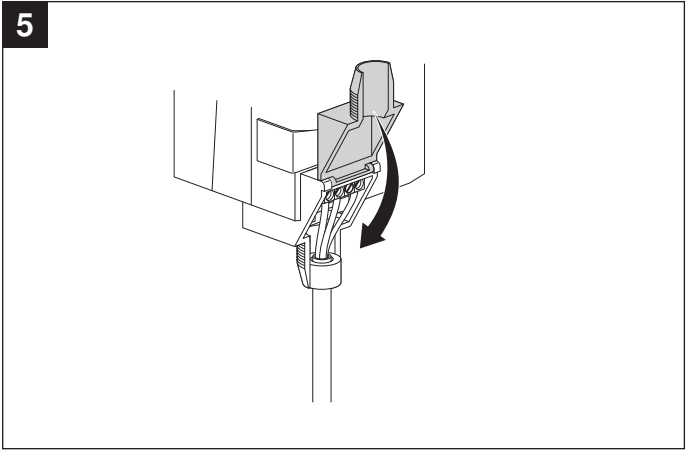
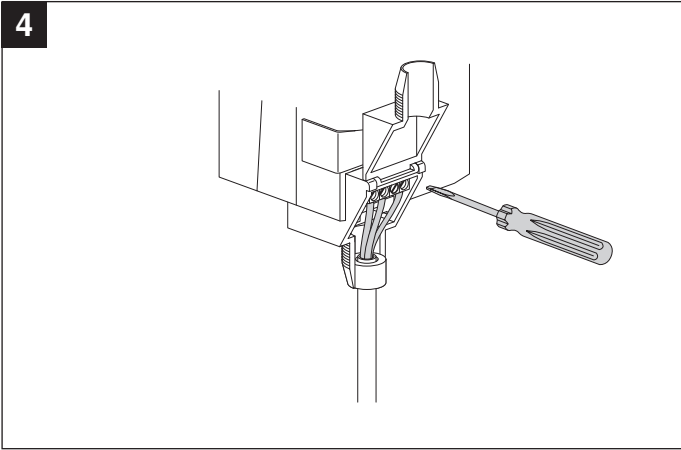
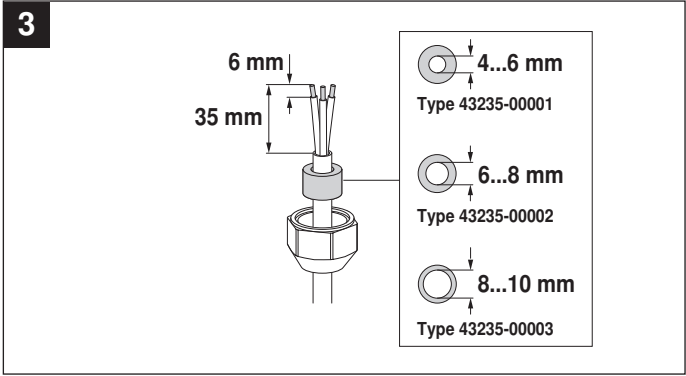
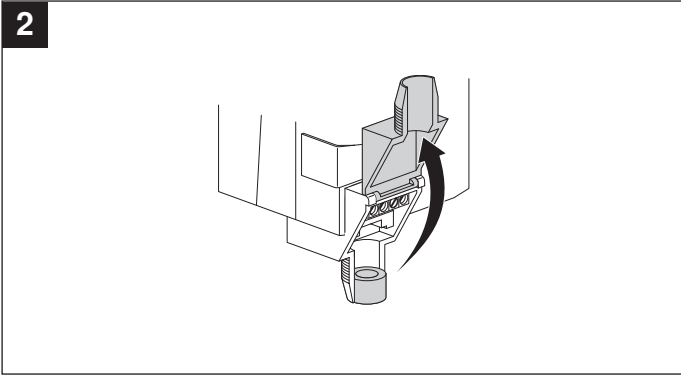
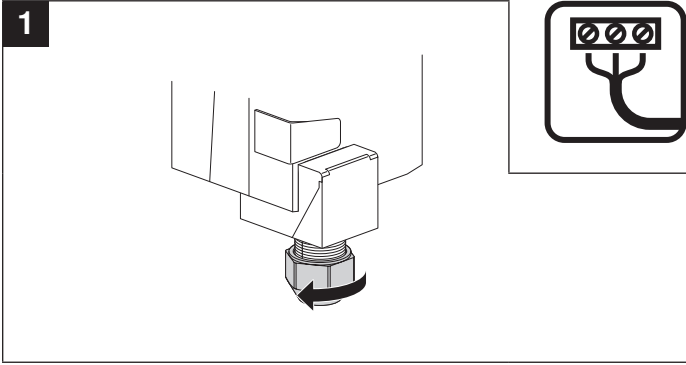
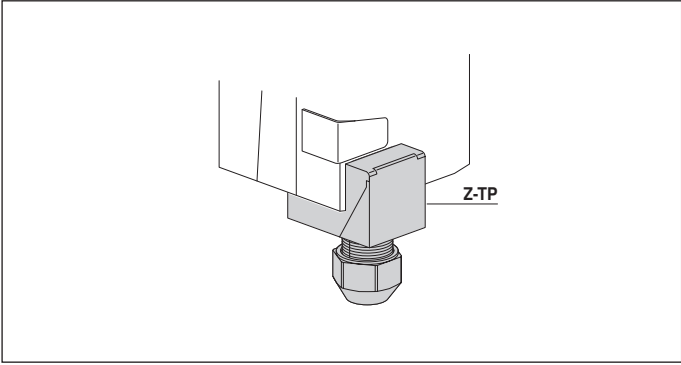
70685-00001.D

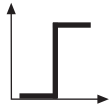
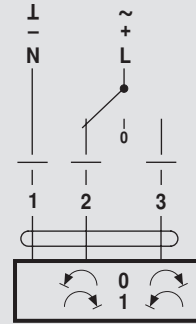
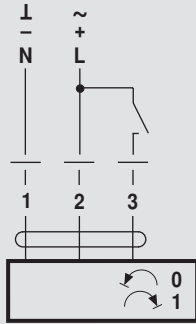




ZF8-LMA  
ZF10-LMA  
ZF12-LMA

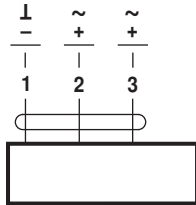




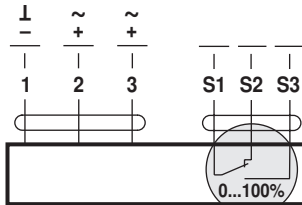


AC 24 V / DC 24 V

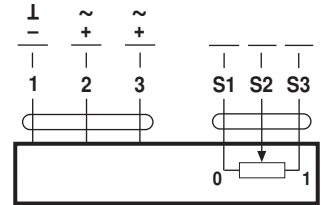
DC 48 ... 110 V  
(LM72A..)



LM24A.. LMC24A..  
LM72A.. TMC24A..

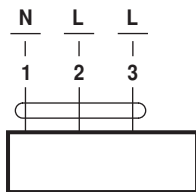


LM24A-S.. TMC24A-S..  
LM72A-S..

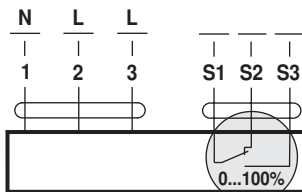


LM24AP5..

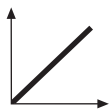
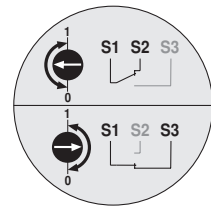
AC 100 ... 240 V



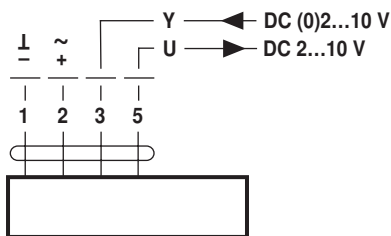
LM230A.. LMC230A..  
TMC230A..



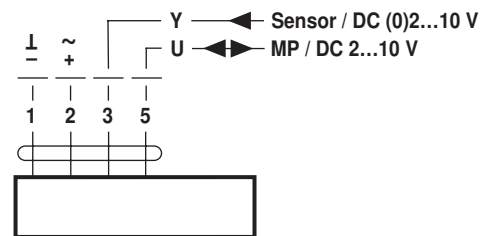
LM230A-S.. TMC230A-S..



AC 24 V / DC 24 V

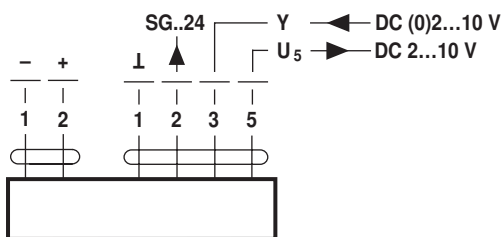


LM24A-SR.. LMC24A-SR..  
LM24A-MF.. TMC24A-SR..



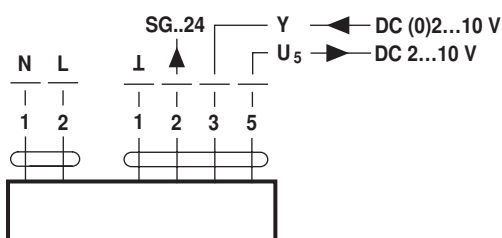
LM24A-MP..

DC 48 ... 110 V

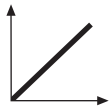


LM72A-SR..

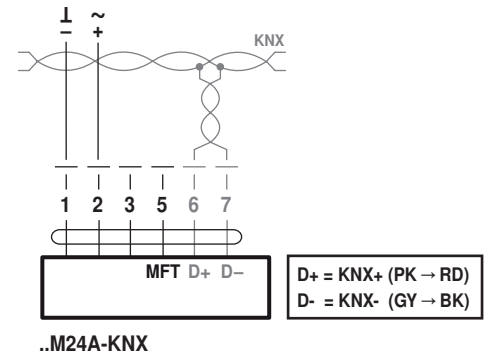
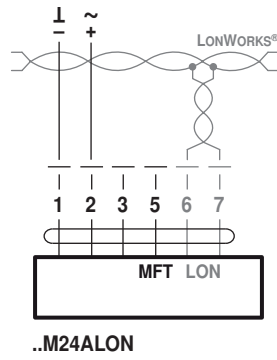
AC 100 ... 240 V



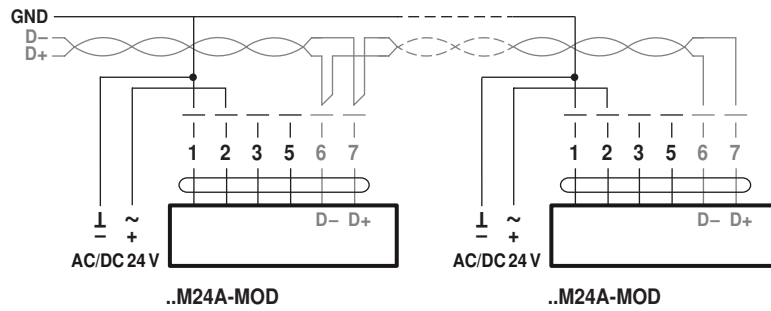
LM230ASR.. TMC230ASR..



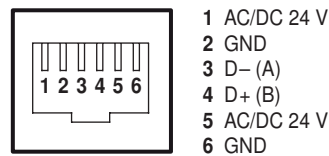
AC 24 V / DC 24 V



**BACnet MS/TP / Modbus RTU**

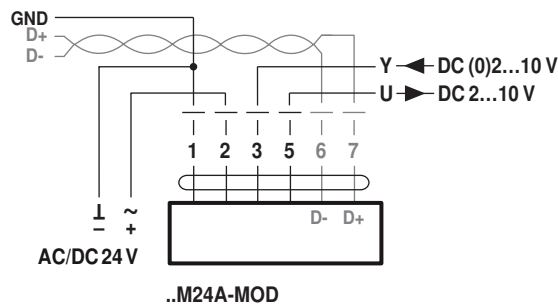


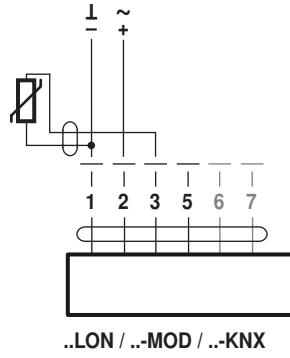
**BACnet MS/TP / Modbus RTU**



..M24A-MOD-J6

**BACnet MS/TP / Modbus RTU / analog**





Ni1000	-28...+98°C	850...1600 Ω <sup>2)</sup>
PT1000	-35...+155°C	850...1600 Ω <sup>2)</sup>
NTC	-10...+160°C <sup>1)</sup>	200 Ω...60 kΩ <sup>2)</sup>

